

ROOF DRAINS AND ACCESSORIES

100 Series

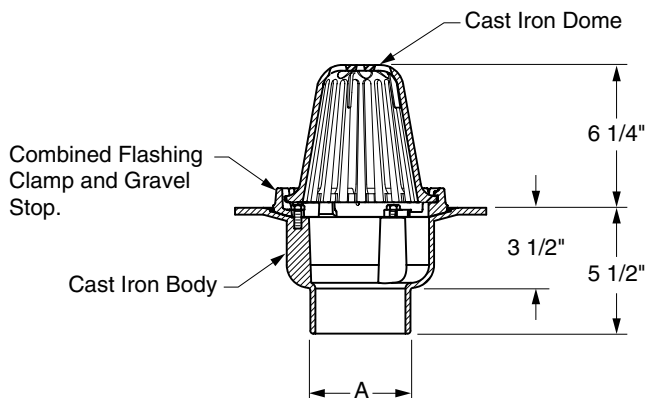
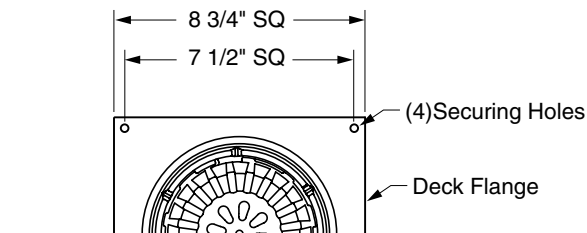
TAG _____

Small Area Roof Drain, Series 110

Product Description: This small area roof drain is recommended for use on flat roof installation. The roof drain is regularly furnished with a cast iron body, combination flashing clamp and gravel stop, and 6" high cast iron dome.

Features and Benefits:

- Used on flat roof applications
- Roof drain body, combination flashing clamp and gravel stop, and dome are all cast iron
- Regularly furnished with 6" high cast iron dome
- All components are coated to protect against corrosion



Series 110

| Series Number | Description | Outlet Size "A" | Outlet Type |
|----------------------------------|----------------------|-----------------|-------------|
| <input type="checkbox"/> 110-Y02 | Cast Iron Roof Drain | 2" | No-Hub |
| <input type="checkbox"/> 110-Y03 | Cast Iron Roof Drain | 3" | No-Hub |
| <input type="checkbox"/> 110-Y04 | Cast Iron Roof Drain | 4" | No-Hub |

NOTE: Dimensional data is subject to manufacturing tolerances and change without notice.