

# ROOF DRAINS AND ACCESSORIES

## 100 Series

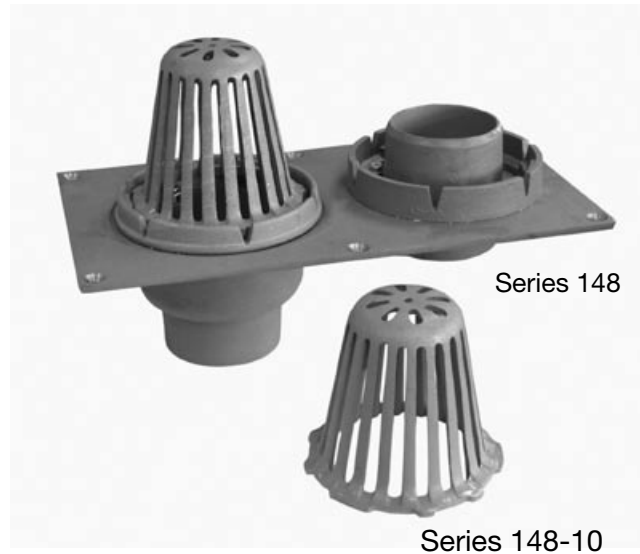
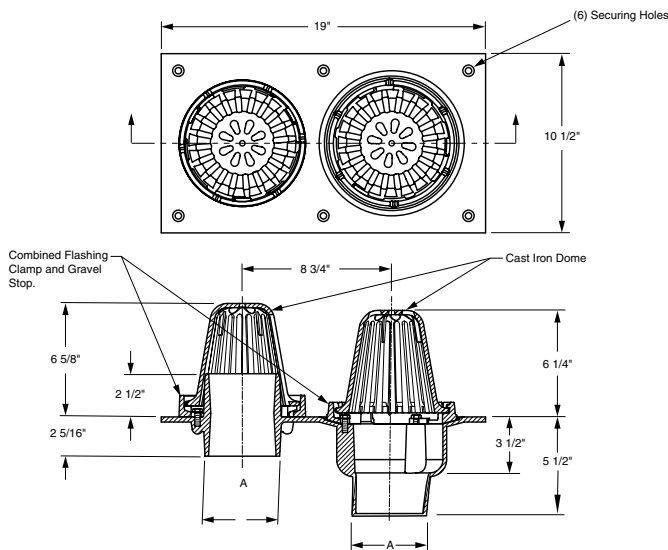
TAG \_\_\_\_\_

## Combination Roof and Overflow Drain, Series 148

**Product Description:** Recommended for use on flat roofs where the roof drain assembly serves as a conventional roof drain and overflow for emergency use. The combination roof and overflow drain consists of a cast iron roof and overflow drain with no-hub outlets, two cast iron combination flashing clamps and gravel stops, and one 6" high cast iron dome. All components are coated to protect against corrosion.

### Features and Benefits:

- Use on flat roofs where emergency overflow can be used in combination with roof drain
- All components are coated to protect against corrosion
- Roof drain, overflow drain, flashing clamps, gravel stop, and dome are all cast iron
- Regularly furnished with 6" cast iron dome, an additional 6" dome is available for overflow drain



Series Number	Description	Outlet Size-"A"	Outlet Type
148-Y02	Roof & Overflow Drain with One CI Dome	2"	No-Hub
148-Y03	Roof & Overflow Drain with One CI Dome	3"	No-Hub
148-Y04	Roof & Overflow Drain with One CI Dome	4"	No-Hub
148-10	6" High Cast Iron Dome, optional for overflow		

NOTE: Dimensional data is subject to manufacturing tolerances and change without notice.