

FLOOR DRAINS AND ACCESSORIES

200 Series

TAG _____

Nickel Bronze Adjustable Strainer with PVC Body, Series 202

Product Description:

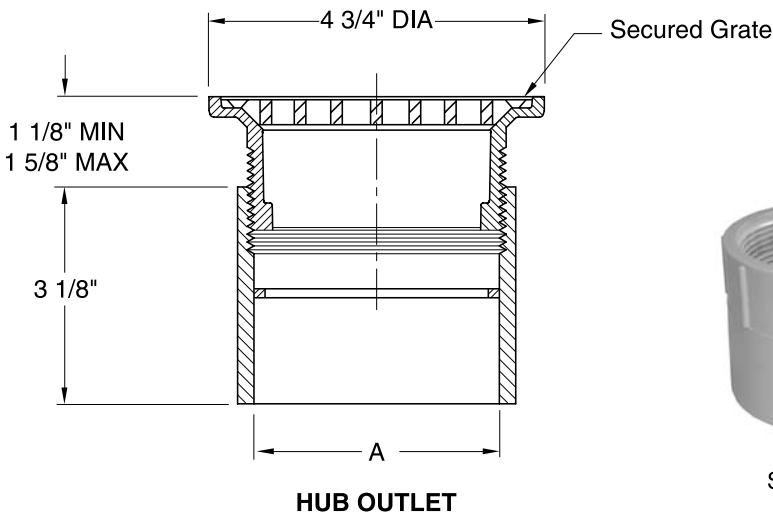
Round nickel bronze strainer head with secured grate and PVC body.

Features and Benefits; Adaptor:

- Schedule 40 PVC body with 3" Hub outlet
- 3" FIP Threads
- For on-grade installation

Features and Benefits; Strainer:

- 3" MIP Threaded Shank
- Heel Proof Openings
- Adjustable Nickel Bronze Strainer



Series 202



Series 201-T03

Series Number	Description	Outlet Size-"A"	Outlet Type
<input type="checkbox"/> 202-H03	PVC Adjustable Floor Drain, Body Only	3"	Hub
Series Number	Available Strainer	Top Size	Pipe Size
<input type="checkbox"/> 201-T03	Adjustable Round Nickel Bronze Strainer	4 3/4"	3 " MIP Threaded Shank

NOTE: Dimensional data is subject to manufacturing tolerances and change without notice.



A Product of:
JAY R. SMITH MFG. CO.®
 DIVISION OF SMITH INDUSTRIES, INC.

Series 202

SPM 1013
 06/08