

FLOOR DRAINS AND ACCESSORIES

200 Series

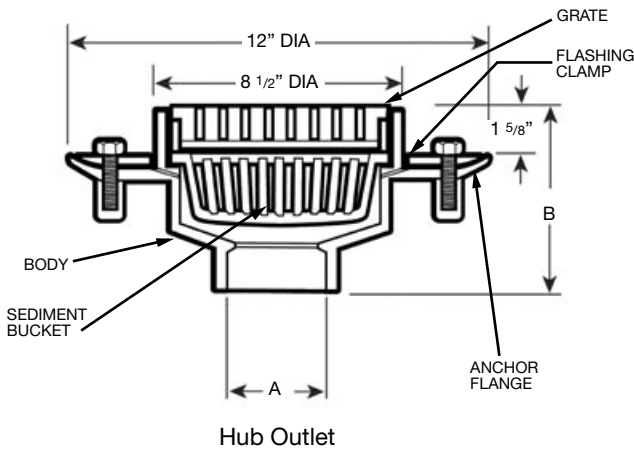
TAG _____

PVC Floor Drain, Series 225

Product Description: Recommended for use in light traffic areas where a shallow drain is required. This floor drain is produced from high strength, chemically resistant PVC; ensuring it is tough, durable and capable of withstanding job site abuse. The floor drain consists of an 8" diameter grate, body, seepage holes, sediment bucket, flange and flashing clamp. In on-grade applications the flange acts as an anchor. When installed in waterproof floors, the flashing clamp is used for clamping of membrane.

Features and Benefits:

- PVC offers excellent resistance to chemicals, will not chip, rust or corrode
- Light weight facilitates transportation, handling, and installation
- Can be adapted to all types of floor construction and finishes
- Medium duty load rating
- IAPMO Listed, File No. 3978



Series 225

Series Number	Material Type	Description	A Outlet Size	B	Outlet Type
□ 225-H03	PVC	Floor Drain Body, Grate, and Sediment Bucket	3"	5 13/16"	Hub
□ 225-H04	PVC	Floor Drain Body, Grate, and Sediment Bucket	4"	6 1/16"	Hub
□ 225-10	PVC	Grate	-	-	-
□ 225-11	PVC	Sediment Bucket	-	-	-

NOTE: Dimensional data is subject to manufacturing tolerances and change without notice.