

FLOOR DRAINS AND ACCESSORIES

200 Series

TAG _____

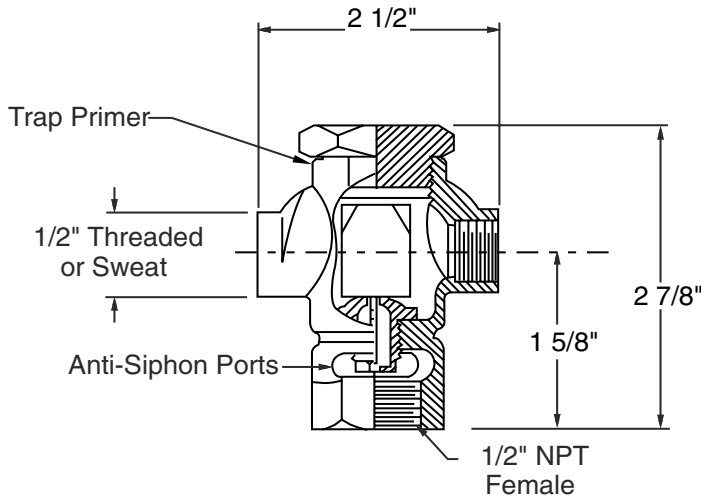
Automatic Trap Primer, Series 261

Product Description:

Used where trapped drains are installed in locations used infrequently or other conditions might permit water seal to evaporate, allowing sewer gas or objectionable and contaminating odors to escape through the drain. A trap primer is recommended to compensate for evaporation while providing a water seal in the trap at all times.

Features and Benefits:

- Replenishes evaporated water in the floor drain P-trap to prevent escape of sewer gases
- Cast bronze with 1/2" sweat or threaded connection available
- Anti-Siphon ports in trap primer body prevent siphonage of trap water and backflow into the potable water supply line



Series 261

Series Number	Pipe Size	Inlet and Outlet
261-T	1/2"	NPT female inlet and outlet connection
261-SC	1/2"	Copper sweat connection

NOTE: Dimensional data is subject to manufacturing tolerances and change without notice.



Built by:
JAY R. SMITH MFG. CO.
DIVISION OF SMITH INDUSTRIES, INC.

Series 261

SPM 1013
11/04