

FLOOR CLEANOUTS AND ACCESSORIES

400 Series

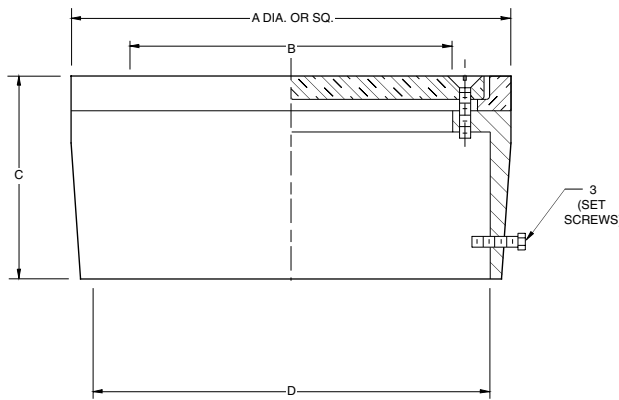
TAG _____

Cleanout Top Assembly, Series 405 - 406

Product Description: Cleanout top assembly with cast iron frame and nickel bronze round or square top for use with various pipe materials such as cast iron service weight or extra heavy weight with hub or PVC with mechanical coupling.

Features and Benefits:

- Tops available in either round or square nickel bronze
- Fits over 2" - 6" cast iron service weight or extra heavy pipe with hub
- Fits over 2" - 4", 6" PVC pipe with mechanical coupling



Series 405



Series 406

Series Number	Round Top Size-"A"	Clear Open-"B"	Height-"C"	I.D.-"D"
<input type="checkbox"/> 405-04 (Light Duty)	4-1/2"	3-1/8"	2-5/8"	4-1/4"
<input type="checkbox"/> 405-05 (Light Duty)	5-15/16"	4-3/8"	2-5/8"	5-3/8"
<input type="checkbox"/> 405-06 (Light Duty)	6-5/8"	4-15/16"	2-7/8"	6-1/4"
<input type="checkbox"/> 405-08 (Light Duty)	8-11/16"	6-7/8"	2-15/16"	8-1/4"
Series Number	Square Top Size-"A"	Clear Open-"B"	Height-"C"	I.D.-"D"
<input type="checkbox"/> 406-04 (Light Duty)	4-1/2"	3-1/8"	2-5/8"	4-1/4"
<input type="checkbox"/> 406-05 (Light Duty)	5-15/16"	4-3/8"	2-5/8"	5-3/8"
<input type="checkbox"/> 406-06 (Light Duty)	6-5/8"	4-15/16"	2-7/8"	6-1/4"
<input type="checkbox"/> 406-08 (Light Duty)	8-11/16"	6-7/8"	2-15/16"	8-1/4"

NOTE: Dimensional data is subject to manufacturing tolerances and change without notice.