

Backwater Valves and Traps

700 Series

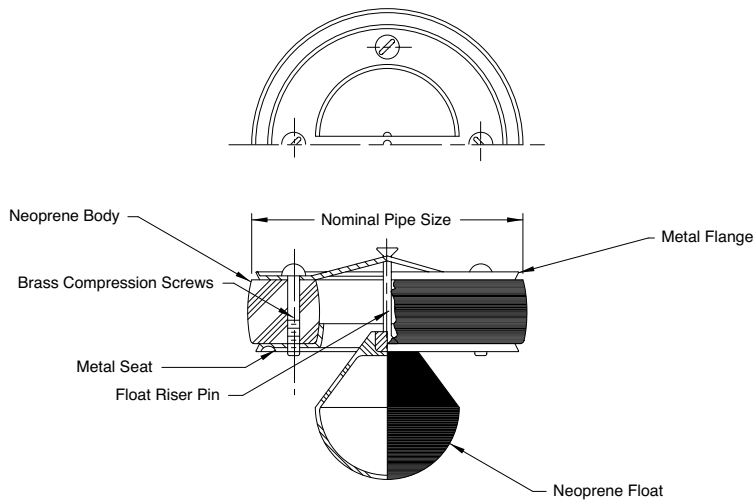
TAG _____

Round Compression Seal Type Backwater Valve, Series 701

Product Description: Designed for installation in new or existing drains where protection from sewer backflow is required. When the sewer begins to back-up, the float in the backwater valve rises to seal the drain opening until the water recedes. This valve protects basements and low lying areas in homes and businesses against sewer back-up.

Features and Benefits:

- Protects against sewer back-up
- Fits in 2", 3" and 4" pipe
- Backwater valve complete with Neoprene body and float, metal flange and seat, and brass compression screws
- Can be installed in new or existing drains
- Fits ID of drain pipe



Series 701

Series Number	Pipe Size
<input type="checkbox"/> 701-02	2"
<input type="checkbox"/> 701-03	3"
<input type="checkbox"/> 701-04	4"

NOTE: Dimensional data is subject to manufacturing tolerances and change without notice.



Built by:
JAY R. SMITH MFG. CO.
DIVISION OF SMITH INDUSTRIES, INC.

Series 701

SPM 1013
11/04